

Ethernet Cabling Pin-Out

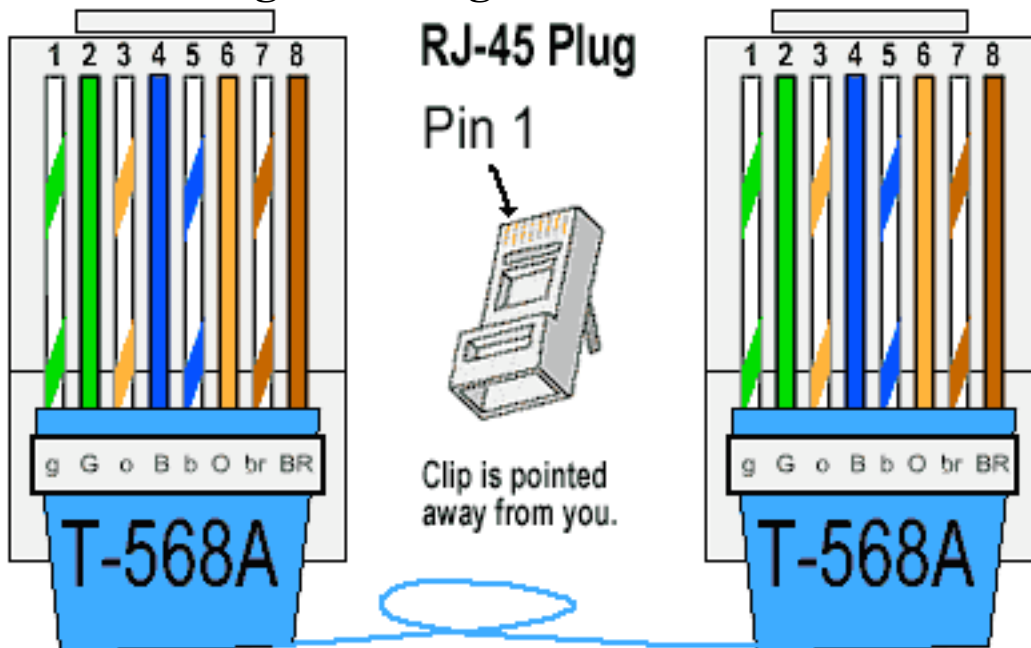
On the back of each keystone jack is a two-sided connector that is labeled with similar colors. In the keystone jack we're using, the label has sets of colors labeled A and B. This refers to the two main wiring standards used in Ethernet, 568A and 568B. You can use either standard as long as you are consistent with that standard throughout your installation. Using the 568B standard, the left side of our keystone jack is labeled (from top to bottom) blue, white-blue, orange, white-orange, and the right side is labeled green, white-green, brown, white-brown.

Working from the top, place the specified color in the corresponding slots on the top row of slots on connector. Try not to untwist the wire, since the Ethernet standard requires the wires stay twisted down to the last 1/2 inch.

ETHERNET CABLE: COLOR-CODE STANDARDS

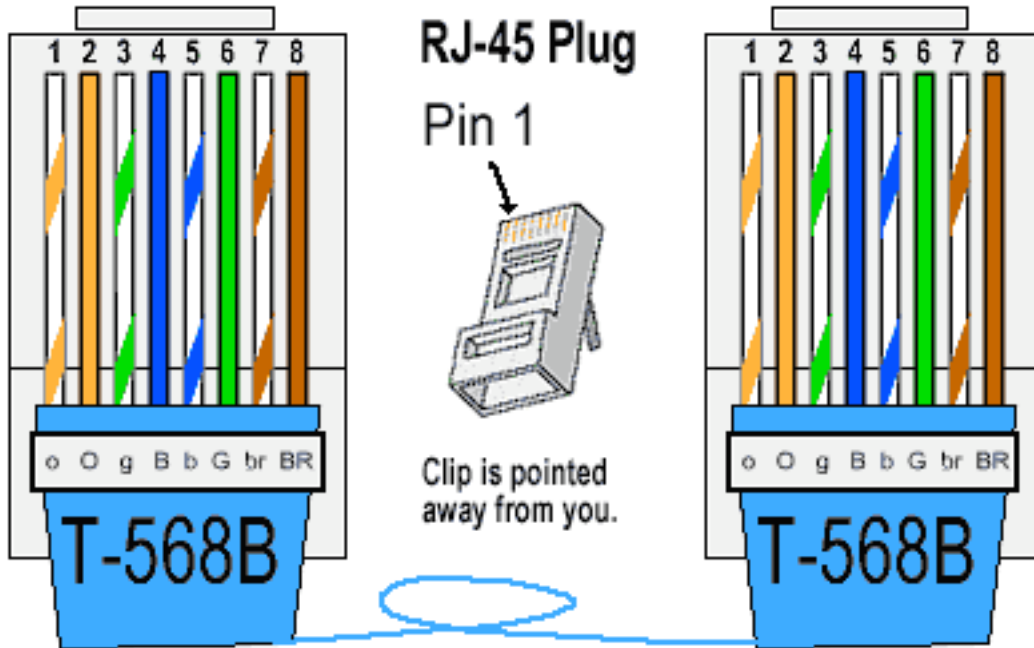
The information listed here is to assist Network Administrators in the color coding of Ethernet cables. Please be aware that modifying Ethernet cables improperly may cause loss of network connectivity. Use this information at your own risk, and insure all connectors and cables are modified in accordance with standards. The Internet Centre and its affiliates cannot be held liable for the use of this information in whole or in part.

T-568A Straight-Through Ethernet Cable



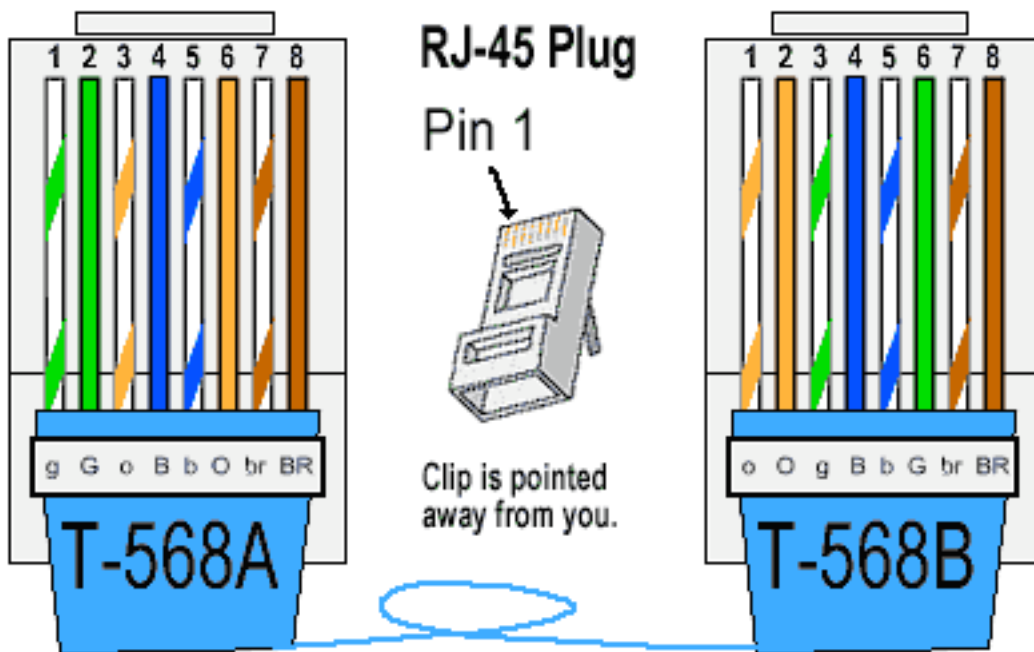
The T-568A standard is supposed to be used in new network installations. Most off-the-shelf Ethernet cables are still of the T-568B standard; however, it makes absolutely no functional difference in which you choose.

T-568B Straight-Through Ethernet Cable



Both the T-568A and the T-568B standard Straight-Through cables are used most often as patch cords for your Ethernet connections. If you require a cable to connect two Ethernet devices directly together without a hub or when you connect two hubs together, you will need to use a Crossover cable instead.

RJ-45 Crossover Ethernet Cable



A good way of remembering how to wire a Crossover Ethernet cable is to wire one end using the T-568A standard and the other end using the T-568B standard. Another way of remembering the

color coding is to simply switch the Green set of wires in place with the Orange set of wires. Specifically, switch the solid Green (G) with the solid Orange, and switch the green/white with the orange/white.

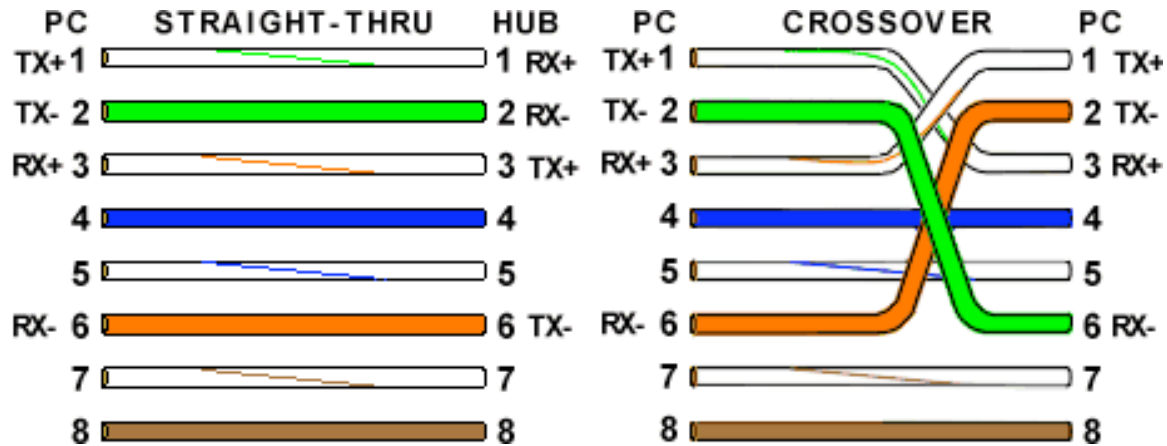
Ethernet Cable Instructions:

1. Pull the cable off the reel to the desired length and cut. If you are pulling cables through holes, its easier to attach the RJ-45 plugs after the cable is pulled. The total length of wire segments between a PC and a hub or between two PC's cannot exceed 100 Meters (328 feet) for 100BASE-TX and 300 Meters for 10BASE-T.
2. Start on one end and strip the cable jacket off (about 1") using a stripper or a knife. Be extra careful not to nick the wires, otherwise you will need to start over.
3. Spread, untwist the pairs, and arrange the wires in the order of the desired cable end. Flatten the end between your thumb and forefinger. Trim the ends of the wires so they are even with one another, leaving only 1/2" in wire length. If it is longer than 1/2" it will be out-of-spec and susceptible to crosstalk. Flatten and insure there are no spaces between wires.
4. Hold the RJ-45 plug with the clip facing down or away from you. Push the wires firmly into the plug. Inspect each wire is flat even at the front of the plug. Check the order of the wires. Double check again. Check that the jacket is fitted right against the stop of the plug. Carefully hold the wire and firmly crimp the RJ-45 with the crimper.
5. Check the color orientation, check that the crimped connection is not about to come apart, and check to see if the wires are flat against the front of the plug. If even one of these are incorrect, you will have to start over. Test the Ethernet cable.

Ethernet Cable Tips:

- *A straight-thru cable has identical ends.*
- *A crossover cable has different ends.*
- *A straight-thru is used as a patch cord in Ethernet connections.*
- *A crossover is used to connect two Ethernet devices without a hub or for connecting two hubs.*
- *A crossover has one end with the Orange set of wires switched with the Green set.*
- *Odd numbered pins are always striped, even numbered pins are always solid colored.*
- *Looking at the RJ-45 with the clip facing away from you, Brown is always on the right, and pin 1 is on the left.*
- *No more than 1/2" of the Ethernet cable should be untwisted otherwise it will be susceptible to crosstalk.*
- *Do not deform, do not bend, do not stretch, do not staple, do not run parallel with power cables, and do not run Ethernet cables near noise inducing components.*

Basic Theory:



By looking at a T-568A UTP Ethernet straight-thru cable and an Ethernet crossover cable with a T-568B end, we see that the TX (transmitter) pins are connected to the corresponding RX (receiver) pins, plus to plus and minus to minus. You can also see that both the blue and brown wire pairs on pins 4, 5, 7, and 8 are not used in either standard. What you may not realize is that, these same pins 4, 5, 7, and 8 are not used or required in 100BASE-TX as well. So why bother using these wires, well for one thing its simply easier to make a connection with all the wires grouped together. Otherwise you'll be spending time trying to fit those tiny little wires into each of the corresponding holes in the RJ-45 connector.